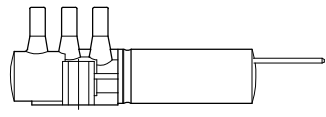


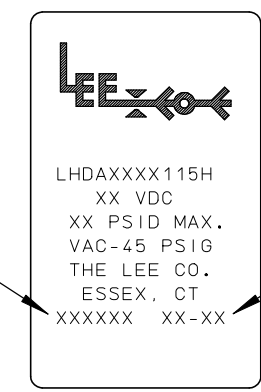
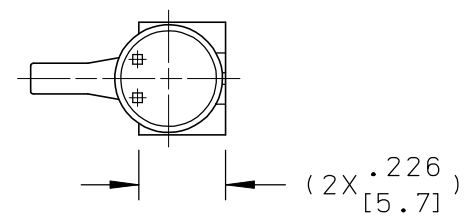
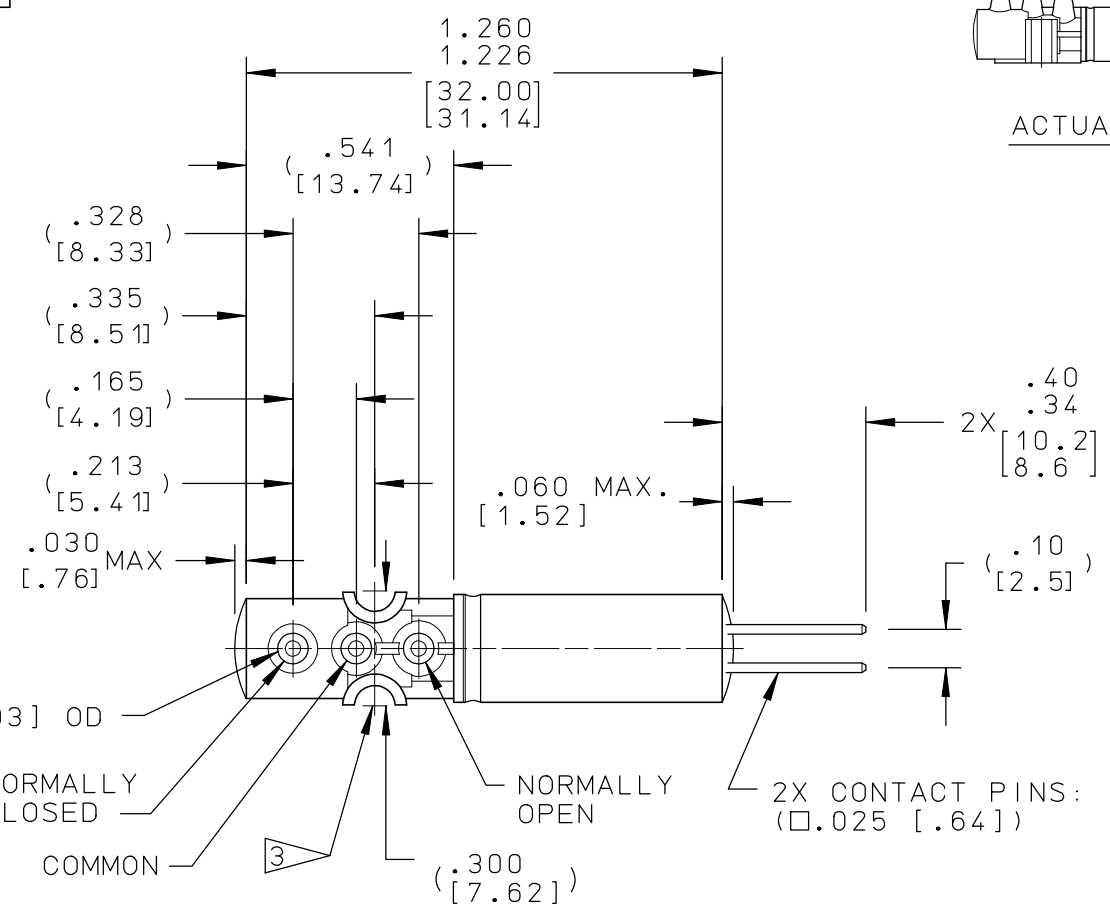
DWG. NO.
LHDA0030000B

ALT.	DATE	BY	DESCRIPTION
A	10-01-99	TLC	INITIAL RELEASE

PROPRIETARY ITEM
This document contains proprietary information and is submitted upon the express condition that the information contained herein will not be used directly or indirectly in any way detrimental to the interests of the Lee Company, and/or in violation of regulation DAR 7-104.9 (a) (1 July 1974), et seq.

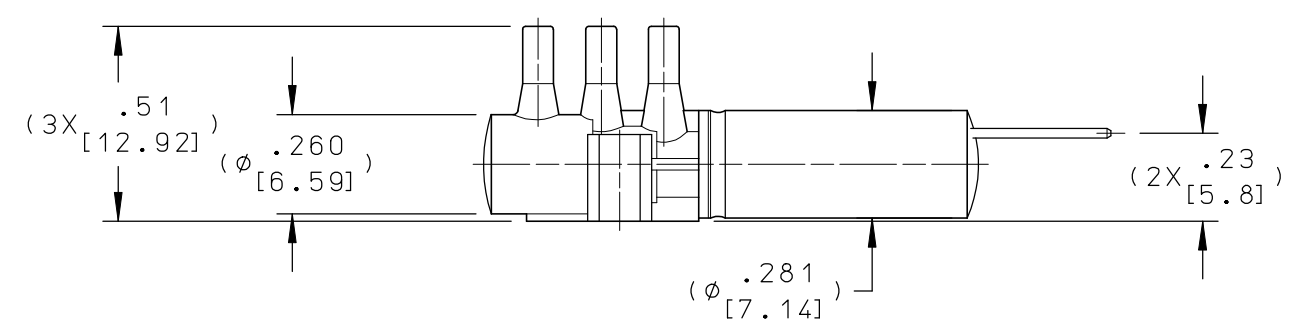


ACTUAL SIZE



LOT # DATE OF MFR.

MARKING VIEW



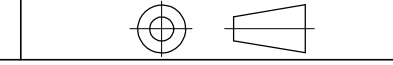
OPERATING VOLTAGE	PART NUMBER MATRIX			
	OPERATING PRESSURE / POWER			
	15 PSID 550 mW	REV	30 PSID 750 mW	REV
5 VDC	LHDA0531115H	A	LHDA0533115H	A
12 VDC	LHDA1231115H	A	LHDA1233115H	A
24 VDC	LHDA2431115H	A	LHDA2433115H	A

OPERATING RANGE: VAC-45 PSIG [VAC-310 kPag]; 0-30 PSID [0-207 kPad].
 OPERATING RANGE: VAC-45 PSIG [VAC-310 kPag]; 0-15 PSID [0-103 kPad].
 USE 2X #2 SOCKET HEAD CAP SCREWS (.140 [3.56] HEAD DIAMETER MAX). RECOMMENDED MOUNTING SCREW TORQUE: 8-12 IN-OZ [.06-.09 N-m].
 2. LOHM RATE: 1500 LOHMS NOMINAL.
 1. WETTED MATERIALS: PPS, PBT, 302 & 430FR SS, SI RUBBER & EPOXY.

NOTES AND DIMENSIONS SHOWN HEREON ARE FOR INSPECTION IDENTIFICATION ONLY. ALL MANUFACTURING RIGHTS ARE RESERVED.

REF. NO.

UNLESS OTHERWISE SPECIFIED DIMENSIONS ARE IN INCHES [mm]
 TOLERANCES:
 .XX ±.015 [0.38]
 .XXX ±.005 [0.13]
 ANGLES ±2°
 INT CORNER R .01 [0.25] MAX
 SURFACE FINISH 63
 DO NOT SCALE DRAWING ✓
 THIRD ANGLE PROJECTION



DRAWN	JLD	04-27-99
CHK'D	TOM	10-01-99
APP'D	TRB	10-02-99
MAT.	SEE NOTE 1	
H.T.		
FINISH		

TITLE HDI-PORTED-MASTER DWG			
THE LEE COMPANY ESSEX, CT			
SIZE	CODE IDENT. NO.	DWG. NO.	REV.
B	ONZR4	LHDA0030000B	A
SCALE: 2/1		SHEET 1 OF 1	